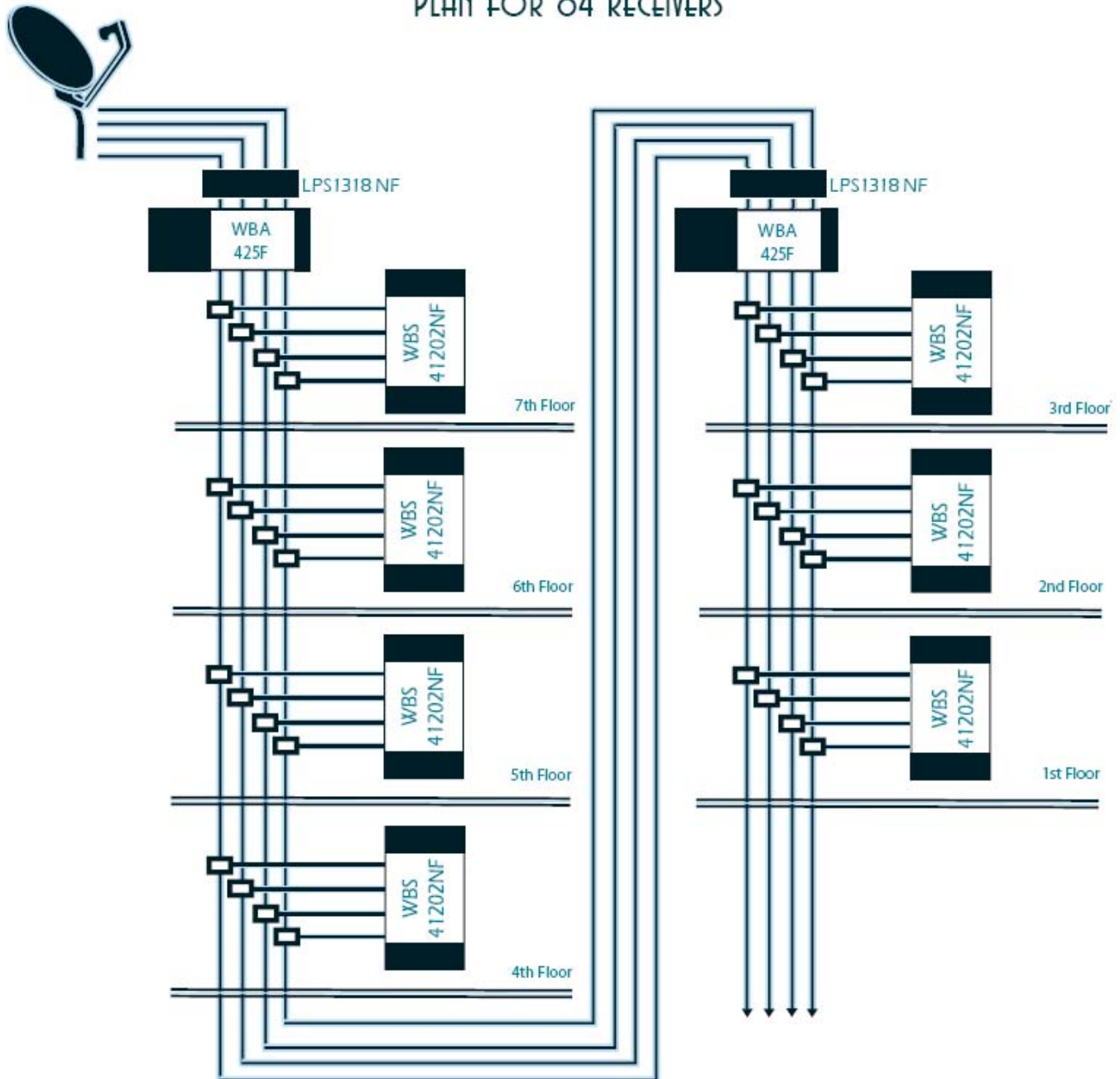


# SATELLITE USA DESIGN EXAMPLES

## PLAN FOR 84 RECEIVERS



List of Parts	
( 2 )	WBA425F - WideBand Amplifier
( 28 )	WBT110 - High Frequency Tap
( 7 )	WBS41202NF - 12 Way WideBand Multiswitch
( 2 )	LPS1318 NF - Line Power Supply