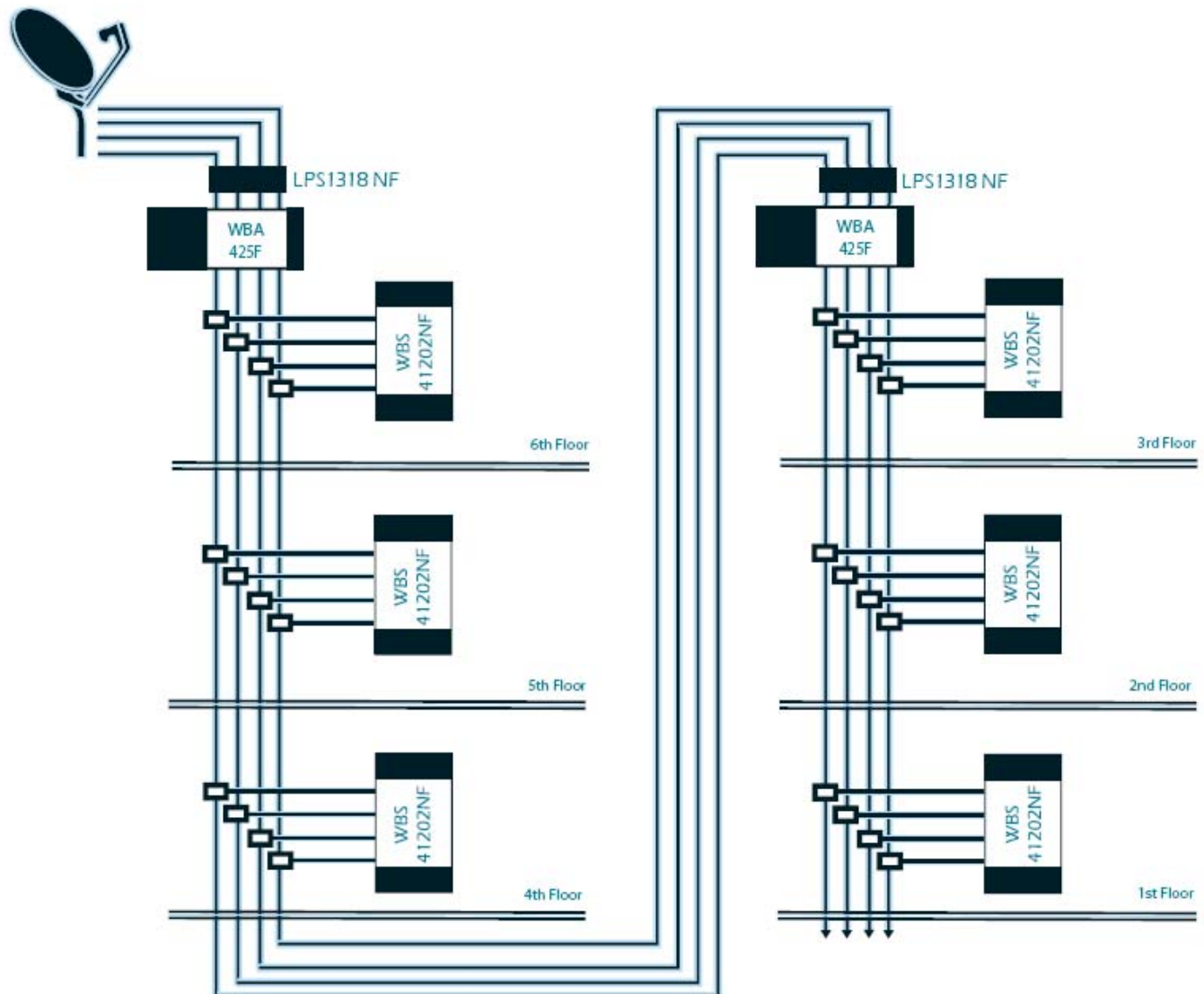


SATELLITE USA DESIGN EXAMPLES

PLAN FOR 72 RECEIVERS



List of Parts

(2) WBA425F - WideBand Amplifier

 (24) WBT110 - High Frequency Tap

(6) WBS41202NF - 12 Way WideBand Multiswitch

(2) LPS1318 NF - Line Power Supply